

MIXER SERIES

いいマシンは美しい。
Being efficient makes it stylish.



MIXER

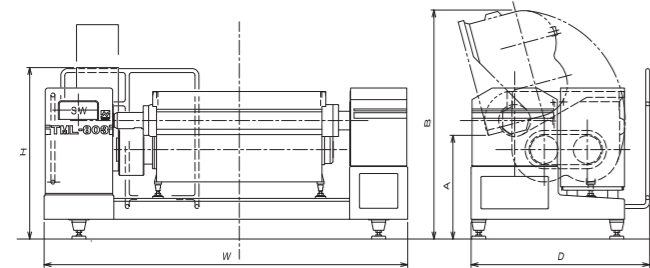
| Model | TML-303 | TML-403 | TML-603 | TML-803 |
|--|------------------------------|-----------------------------|-----------------------------|-----------------------------|
| Drive | For stirring | 3phase 200V 5.5kW | | 3phase 200V 7.5kW |
| | For dumping | 3phase 200V 1.5kW | | 3phase 200V 2.2kW |
| Tub | Capacity (full water volume) | 350L | 450L | 700L 900L |
| | Dumping time | 14.7sec / 105° | | 19.4sec / 105° |
| | Ejection angle | 15° | | |
| | Height | When level | 1100mm | |
| During ejection: (Dimensional drawing A) | | 886mm | | 893mm |
| Dimensions (1) indicates when tub is dumped: (Dimensional drawing B) | W2250×D1377 ×H1365mm (1787) | W2480×D1377 ×H1365mm (1787) | W2830×D1537 ×H1476mm (1971) | W3130×D1537 ×H1476mm (1971) |
| Weight | 1350kg | 1490kg | 2300kg | 2400kg |

| Model | M-404 | |
|------------|------------------------------|-------------------|
| Drive | For stirring | 3phase 200V 7.5kW |
| | For charging | 3phase 200V 1.5kW |
| Tub | Capacity (full water volume) | 500L |
| | Ejection time | 3.5min / 1 patch |
| | Ejection port dimensions | 204×210mm |
| | Ejection height | 595.5mm |
| Dimensions | W1060×D2142 ×H1470mm | |
| Weight | 1200kg | |

| Model | TM-303 | TM-403 | TM-603 | TM-803 |
|--|------------------------------|---------------------|---------------------|---------------------|
| Drive | For stirring | 3phase 200V 5.5kW | | 3phase 200V 7.5kW |
| | For dumping | 3phase 200V 0.4kW | | 3phase 200V 0.75kW |
| Tub | Capacity (full water volume) | 350L | 450L | 700L 900L |
| | Dumping time | 15.2sec / 105° | | 18.7sec / 105° |
| | Ejection angle | 15° | | |
| | Height | When level | 1700mm | |
| During ejection: (Dimensional drawing A) | | 805mm | | 813mm |
| Dimensions | W2250×D770 ×H1700mm | W2480×D770 ×H1700mm | W2820×D960 ×H1930mm | W3120×D960 ×H1930mm |
| Weight | 1250kg | 1300kg | 2100kg | 2200kg |

| Model | TM-151 | |
|-----------------|------------------------------|-------------------|
| Drive | For stirring | 3phase 200V 2.2kW |
| Tub | Capacity (full water volume) | 170L |
| | Ejection angle | 15° |
| | Height | When level |
| During ejection | | 358mm |
| Dimensions | W1407×D710 ×H1388mm | |
| Weight | 340kg | |

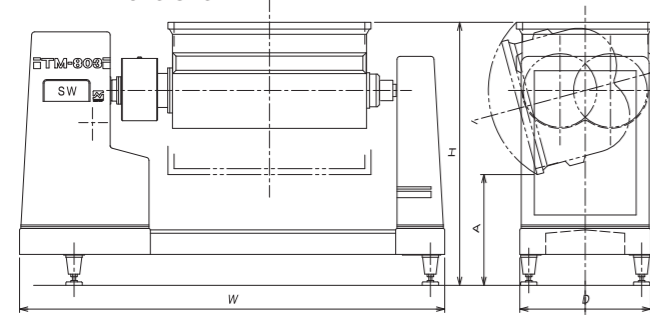
TML - Dimensions



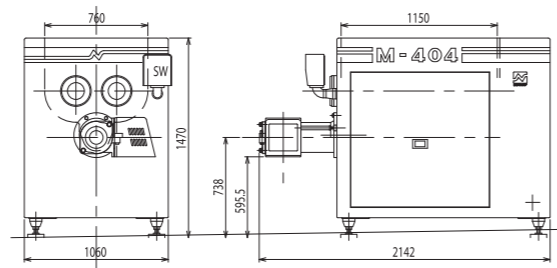
| TML | 303 | 403 | 603 | 803 |
|-----|------|------|------|------|
| W | 2250 | 2480 | 2830 | 3130 |
| H | 1365 | 1365 | 1476 | 1476 |
| D | 1377 | 1377 | 1537 | 1537 |
| A | 886 | 886 | 893 | 893 |
| B | 1787 | 1787 | 1971 | 1971 |

| TM | 303 | 403 | 603 | 803 |
|----|------|------|------|------|
| W | 2250 | 2480 | 2820 | 3120 |
| H | 1700 | 1700 | 1930 | 1930 |
| D | 770 | 770 | 960 | 960 |
| A | 805 | 805 | 813 | 813 |

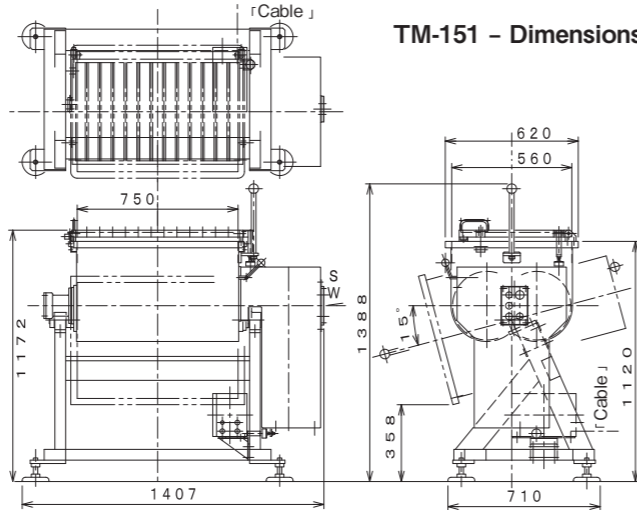
TM - Dimensions



M-404 - Dimensions



TM-151 - Dimensions

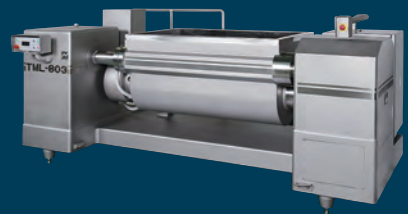


TML-303/403/603/803

M-404

TM-303/403/603/803

TM-151



TML-803

「完璧」に挑戦する
Challenging "Perfection"
株式会社日本キャリア工業
NIPPON CAREER INDUSTRY CO., LTD.

Dealer:

本社 〒791-8043 愛媛県松山市東垣生町980番地5 TEL:(089)973-6311 (代) FAX:(089)973-6353
980-5 Higashihabu-cho, Matsuyama-city, Ehime, 791-8043, JAPAN Tel:+81-89-973-6311 Fax:+81-89-973-6353

E-mail: eigyou@nippon-career.co.jp
http://www.nippon-career.co.jp

Please be aware that product specifications may be changed without notice in order to improve product performance.

High Efficiency Mixing with Dual Axle Overlapping Paddles

Enables highly efficient, uniform mixing. Achieve optimal mixing with Nippon Career's lineup of 10 machines in four patterns.

Features

Program the optimum mixing pattern

Freely set clockwise and counterclockwise switching, stirring times, and speeds (TM-151 limited to manual switching and fixed speed).

Efficient mixing

Nippon Career's proven dual axle overlap paddle mixing enables fast, even processing.

Does not damage material

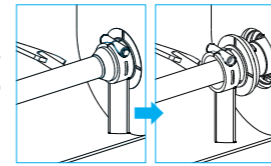
At the time of ejection, paddle rotation directions selectable; improved paddle shape prevents damage to material.

Exceptionally hygienic and durable

Every part of the machine that comes in contact with the mixing material, from the tub onwards, as well as the cover panels are made from stainless steel and are exceptionally hygienic and durable.

Improved hygienity

Terminal triangular paddle can be shifted to extract axle housing, enabling thorough cleaning to prevent bacterial growth.



Ease of operation

Operation and maintenance are simple and easy.

© Custom made to order paddles also available.

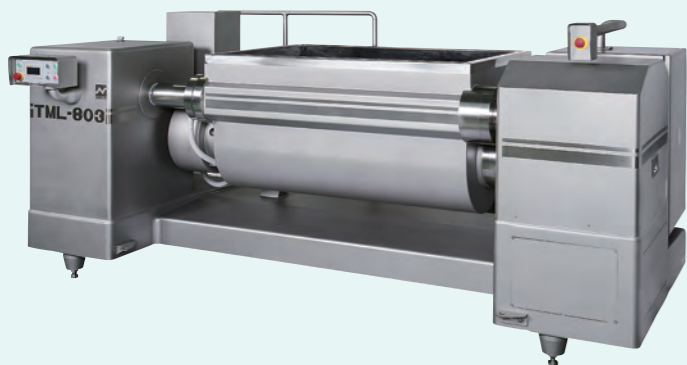


Snake paddles

Nippon Career Industry Mixer Series

Automatic dumping low-rise models

- Easy to fill low-rise models -



TML-303/403/603/803

- One touch tub dumping.
- Low tub position when level (above floor).
- Four tub sizes.

4 tub sizes

Tub cap. 350L 450L 700L 900L

Automatic dumping models

- Standard large scale mixers -



TM-303/403/603/803

- One touch tub dumping.
- Four tub sizes.

4 tub sizes

Tub cap. 350L 450L 700L 900L

Screw ejection model

- Easy partial ejection for samples -



M-404

- Model with screw-based ejection; doesn't require tub dumping.
- Reduces ejection and cleaning labor.

Tub cap. 500L

Manual dumping model

- Genuine dual axle paddles despite size -



TM-151

- Compact model with manual tub dumping.



Pictured with tub dumped

Tub cap. 170L