

# CHOPPER SERIES



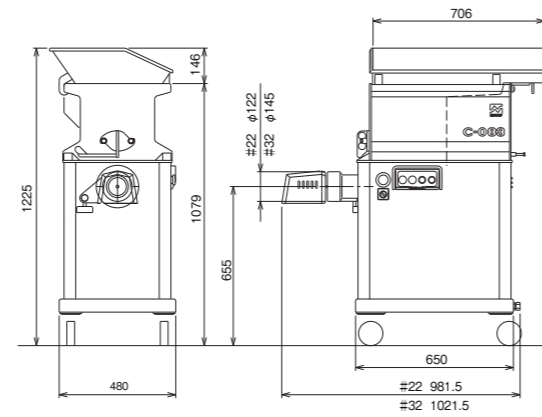
NIPPON CAREER  
CHOPPER  
CATALOG

## C-083



Model	#22 C-083	#32 C-083
Head specs	Enterprise #22	Enterprise #32
Drive	3phase 200V 3.7kW	
Hourly output	400~600kg/h	550~800kg/h
Tub capacity	30L (full water volume)	
Weight	202kg	210kg
Optional	<ul style="list-style-type: none"> <li>•Foot switch model</li> <li>•internal bone collector</li> </ul>	

[Dimensions]C-083

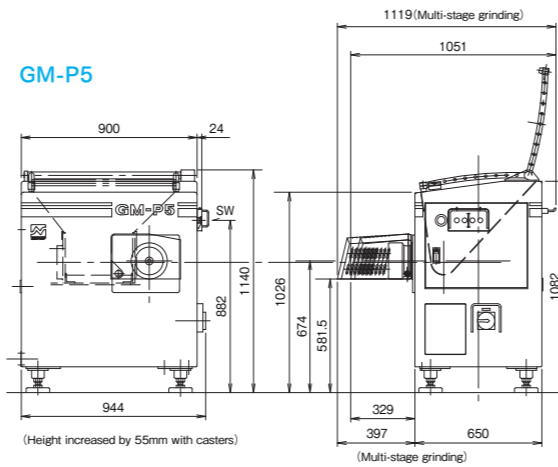


## GM-P5



Model	#42 GM-P5	
Head specs	Enterprise #42	Unger #42
Drive 3phase 200V	Feed screw	11kW
	Screw	0.4kW
Hourly output	800~1200kg/h	
Tub capacity	58L (full water volume)	
Weight	510kg	
Optional	<ul style="list-style-type: none"> <li>•Wheels</li> <li>•Bone collector (internal/external automatic)</li> </ul>	

GM-P5



### Plate Hole Number Table

(As of April 2012)

Hole diameter	1.1 mm	1.8 mm	2.2 mm	2.4 mm	3.2 mm	4.0 mm	4.8 mm	6.4 mm	8.0 mm	9.5 mm	11.0 mm	12.5 mm	16.0 mm	19.0 mm	20.0 mm	22.0 mm
# 12	69mm	828	402	281	149	90	66	36	24	16	12	9	6			
# 22	82mm	1145	508	376	191	120	84	54	33	24	16	12	8	6		5
# 32	100mm	1861	767	581	316	206	149	83	54	42	24	24	12	9		7
# 42	130mm	3154	1226	828	539	365	256	155	90	71	46	33	24	14	14	10
# 52	160mm			1284	711	493	341	208	143	101				24		



Challenging "Perfection"  
**NIPPON CAREER INDUSTRY CO., LTD.**

Agent:

980-5 Higashi habu-machi, Matsuyama City, Ehime, Japan. 7918043  
TEL: +81-89-908-7373  
E-mail: eigyou-oversea@nippon-career.co.jp  
https://www.nippon-career.co.jp

Please be aware that product specifications may be changed without notice in order to improve product performance.

Ver.2022.11



GM-P5

# CHOPPER

#22 #32 C-083 / #42 GM-P5

CHOPPER

# Compact and for professional use.

Choppers – Grinders used for finely grinding and mincing meat. Equipped with motors designed, Nippon Career’s choppers pack big performance into compact bodies.

## Chopper Lineup

#22/#32 C-083

### Easy to fill full-size tub

- Entire machine top serves as a receptacle, making filling easy.
- Fillable from tub even during operation.
- Equipped with stocker standard.

### Easy to clean

- Mixing paddle and feeding screw can be removed for easy cleaning.
- Hygienic stainless steel construction.

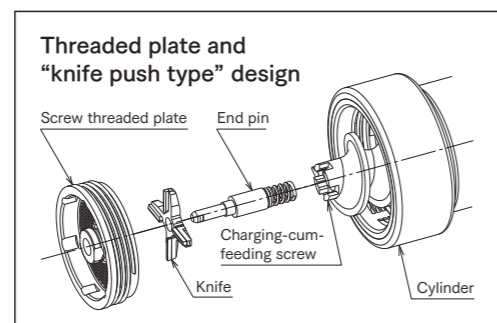
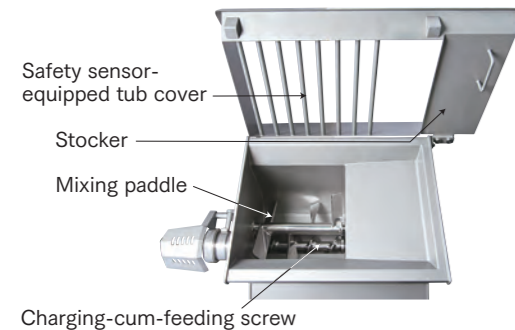


### Automatic feed leaves less residue

- Smooth feeding is provided by the bridge-disrupting paddle and charging-cum-feeding screw.

### A priority on safety

- Safety sensor-equipped tub cover prevents operation while open.
- Equipped with emergency stop button.
- Spring-loaded “knife push type” design ensures the plate and knife are in contact at the appropriate pressure and at all times, preventing breakage and excess wear.



#42 GM-P5

### Ribbon-style charging screw

- Large screw feeds material gently, producing undamaged ground meat.



### Superior operability and safety

- Orthogonal charging screw allows the use of a low material input port. Makes material feeding easy.
- Safety cover and deflector equipped with sensors.
- “Knife push type” design makes operation even safer.

### Compact body, big power

- Despite small size, can process an astonishing 1 ton/hour.
- Charging screw driven by separate motor, avoiding excess strain on feed screw motor.

### Hygienic

- Stainless steel construction.
- One box construction from input port to delivery port prevents material clogging and can be washed off in one go.



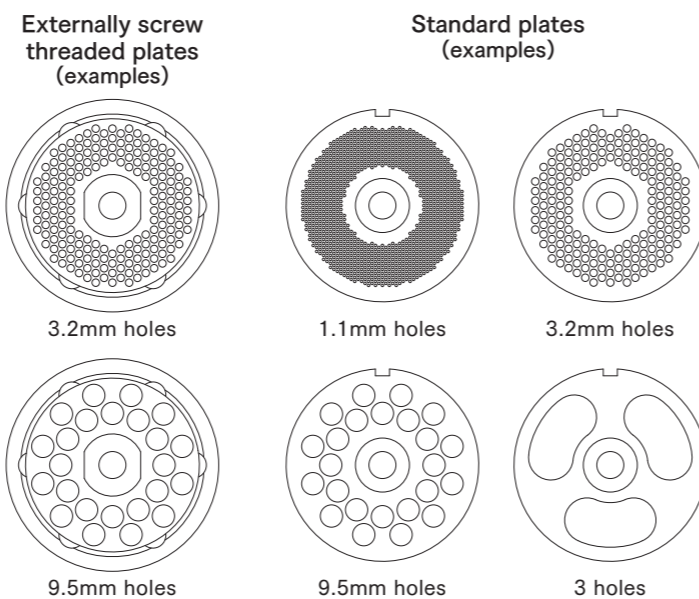
(Equipped with external automatic bone collector)

## Genuine Nippon Career Plates and Knives

### Nippon Career also makes plates and knives for choppers and grinders.

- Based on years of accumulated knowhow, Nippon Career uses carefully selected raw materials to produce knives and plates that demonstrate the optimum balance between cleavability and durability according to the specs of the machine involved.
- Nippon Career also accepts orders for regrinding – make use of our regrinding services to make your knives and plates from Nippon Career to stay safer and last even longer.

We also accept orders for patterns and sizes other than those offered as standard.



The above are examples of standard plates

### External automatic bone collector construction

External automatic bone collector

