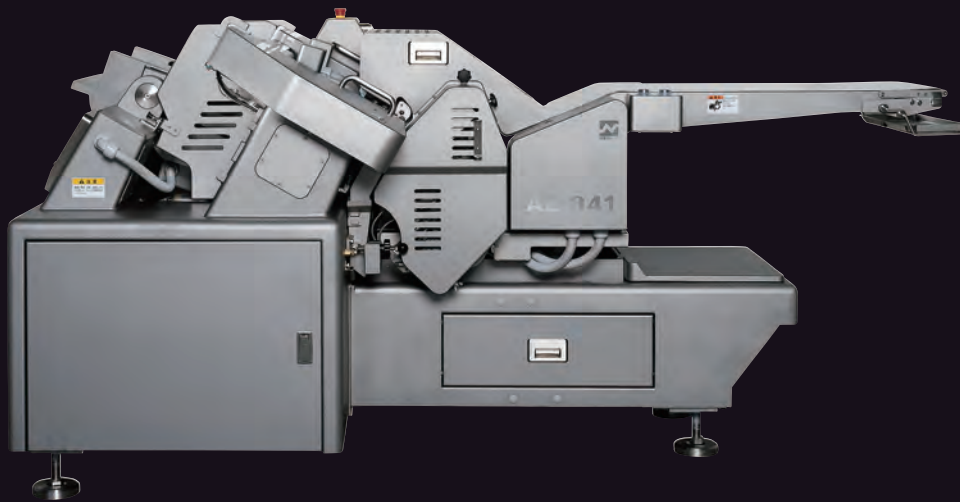




NIPPON CAREER
AZ-341UL
CATALOG

AZ-341UL



AZ-341UL
Folding Slicer



Slicer you never seen

Designed exclusively for boneless raw meat and intended for slicing pork loin however, if raw material is matched the size of the raw material input port, AZ-341UL can slice anything you want.

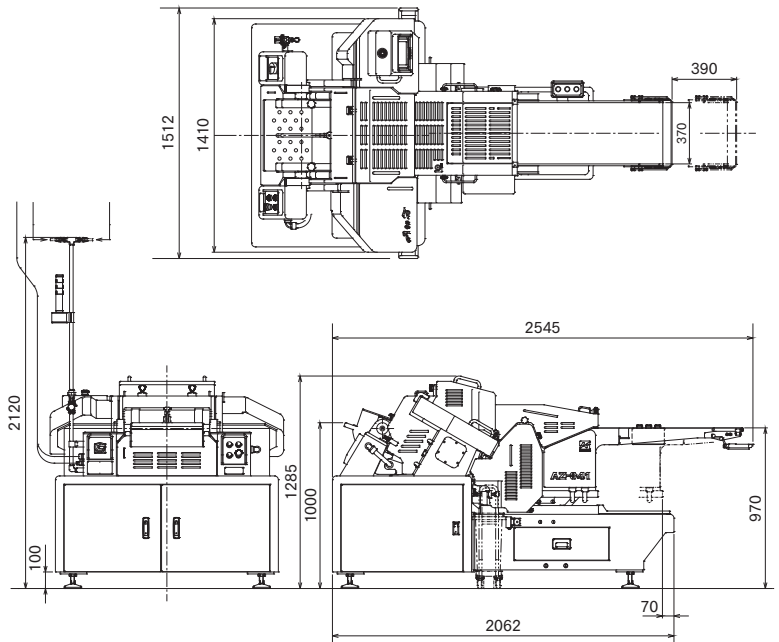


A belt-shaped band knife is used for slicing. knife sharpener and cleaner are equipped to main unit. Product yield is approximately 88% to 90% compared to a maximum of 85% for other brand slicer.

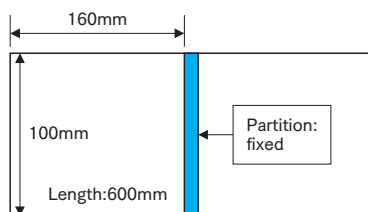
[Spec.]

Model	AZ-341UL
Applicable Temperature	-1°C~+5°C
Function	Folding, Slicing, Shingling
Max. dimension of raw material	W160×H100×L600mm
Input port	2row fixed
Slicing thickness	1~20mm
Max rpm	Folding: 50rpm x 2row Without folding: 60rpm x 2row
Conveyor	W370×L900mm
Machine dimension	W1410×L2545×H1175mm
Weight	935kg
Power	Three phase 200V 2.04kW
Air	0.5MPa 400 ℓ /min.
Water	0.2MPa and higher

[Dimension]



[Input Port]



Challenging "Perfection"
NIPPON CAREER INDUSTRY CO., LTD.

Agent:

980-5 Higashi habu-machi, Matsuyama City, Ehime, Japan. 7918043
TEL: +81-89-908-7373
E-mail: eigyou-oversea@nippon-career.co.jp
<https://www.nippon-career.co.jp>