



NIPPON CAREER
VERTICAL CONVEYOR
CATALOG

VERTICAL CONVEYOR



VC-312AS

VERTICAL CONVEYOR

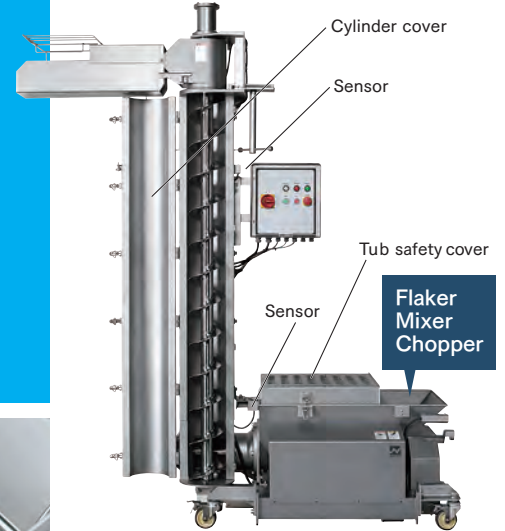
VC-312AS/SV
VC-312AL/LV
VC-301A/V

Production Line Labor-Saving Systems

Vertical conveyor systems for vertically transporting meat using a rotating screw in the cylinder.
Create extra space by taking this line process vertical.

- Systems which reduce labor and floor space required.
- Hygienic – cut meat never touches human hands.
- Equipped with cylinder residue-reducing fast feed mode (V models only).
- Equipped with tub safety cover and safety sensor on cylinder cover.
- Removable screw makes cleaning easy.
- Keeps transport distance to the next process in line to a minimum, reducing the temperature increase experienced by the material.
- Can be connected to existing machines.
- Uses hygienic stainless steel and light alloys.
- Cylinder shape is a unique design developed by Nippon Career which prevents material from idling inside.

※Please contact us regarding orders for custom features such as feeding capacities, vertical heights, and hoppers.



VC-312AS

Charging screw feeding

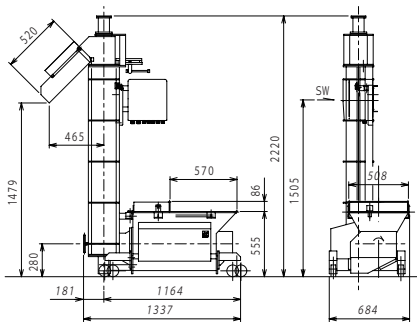


VC-312AS tub interior

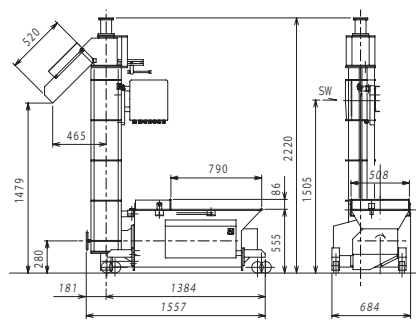


VC-301A paddle-equipped tub interior

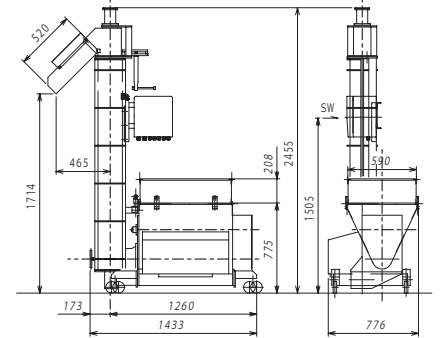
[Dimensions] VC312AS/SV



VC312AL/LV



VC301A/V



[Specification] Vertical Conveyor Series

Model	VC312AS	VC312ASV	VC312AL	VC312ALV	VC301A	VC301AV
Tub capacity (full water volume)	60 ℓ		80 ℓ		260 ℓ	
Processing ability	2000kg/h	~2000kg/h	2000kg/h	~2000kg/h	2000kg/h	~2000kg/h
Drive	3phase 200V 1.5kW					
Charging screw rpm	60rpm	~60rpm	60rpm	~60rpm	60rpm	~60rpm
Paddle rpm	—		—		45rpm	~45rpm
Vertical screw rpm	120rpm	~120rpm	120rpm	~120rpm	120rpm	~120rpm
Weight	270kg	280kg	290kg	300kg	340kg	360kg



Challenging "Perfection" —————
NIPPON CAREER INDUSTRY CO., LTD.

Agent:

980-5 Higashi habu-machi, Matsuyama City, Ehime, Japan. 7918043
TEL: +81-89-908-7373
E-mail: eigyou-oversea@nippon-career.co.jp
<https://www.nippon-career.co.jp>